

For reference only. See data sheet for the detailed specifications.

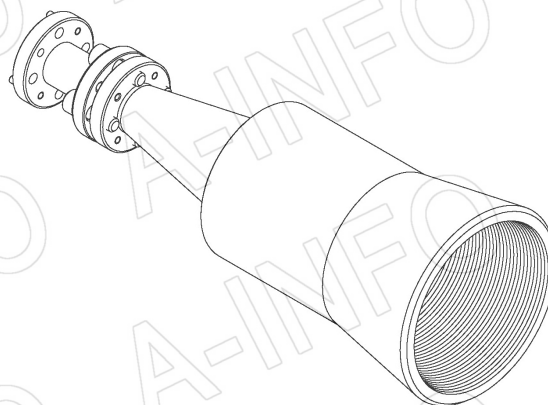
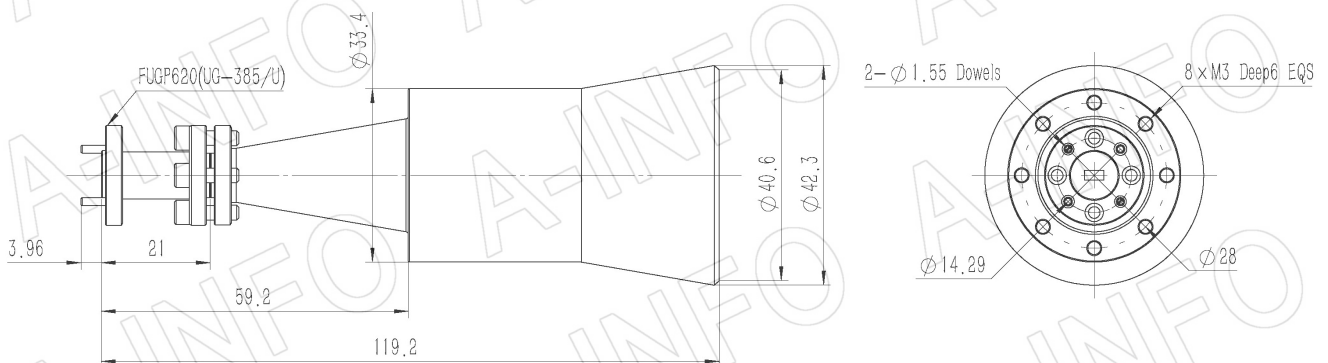
Technical Specification



Frequency Range(GHz)	59.0 -67.0
Waveguide	WR15
Gain(dBic)	25 Typ.
Polarization	LHCP
Axial Ratio(dB)	2.0 Typ.
	3.0 Max.
3dB Beamwidth(deg)	E Plane: 10 Typ.
	H Plane: 10 Typ.
VSWR	1.25:1 Typ.
Output	FUGP620(UG-385/U)
Material	Cu
Finish	Gold Plated
Size(mm)	42.3 x 42.3 x 119.2
Net Weight(Kg)	0.25 Around

Outline Drawing (Size: mm)

FUGP620 Output (P/N: LB-CH-15-25-L16A-A)



AINFO Inc.

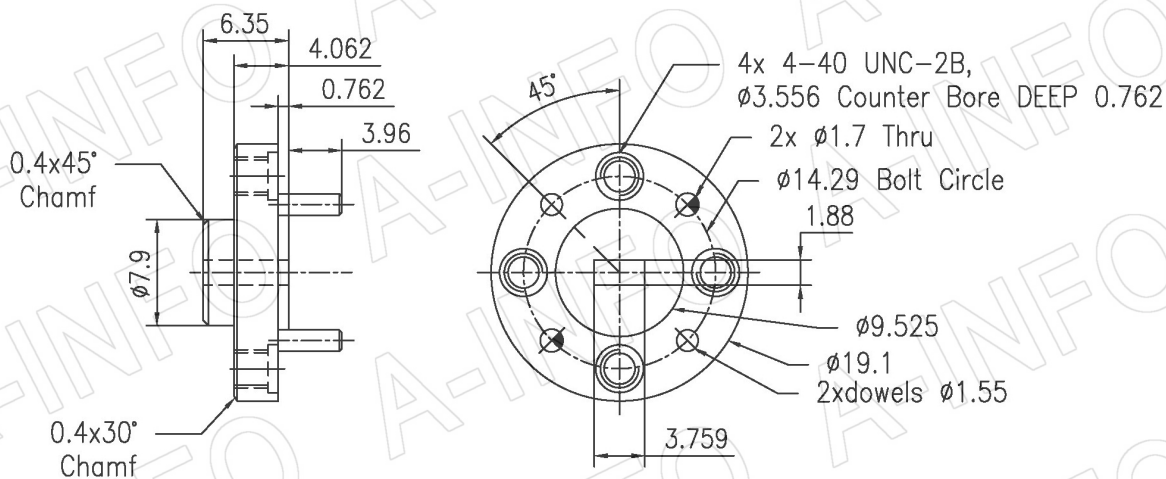
China(Beijing): Tel: (+86) 10-6266-7326,
China(Chengdu): Tel: (+86) 28-8519-2786,
USA: Tel: (+1) 949-639-9688,

Page 1 of 7

(+86) 10-6266-7327 Fax: (+86) 10-6266-7379
(+86) 28-8519-3044 Fax: (+86) 28-8519-3068
(+1) 949-639-9608 Fax: (+1) 949-639-9670

Website: www.ainfoinc.com
Email: sales@ainfoinc.com

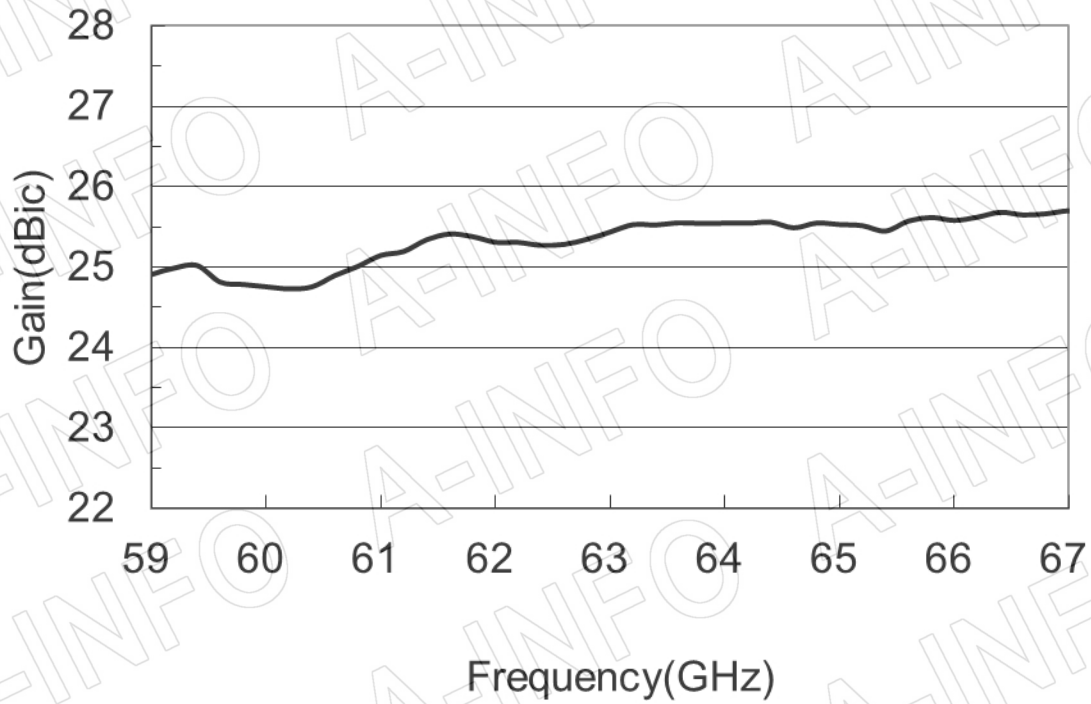
Flange Drawing (Size: mm)



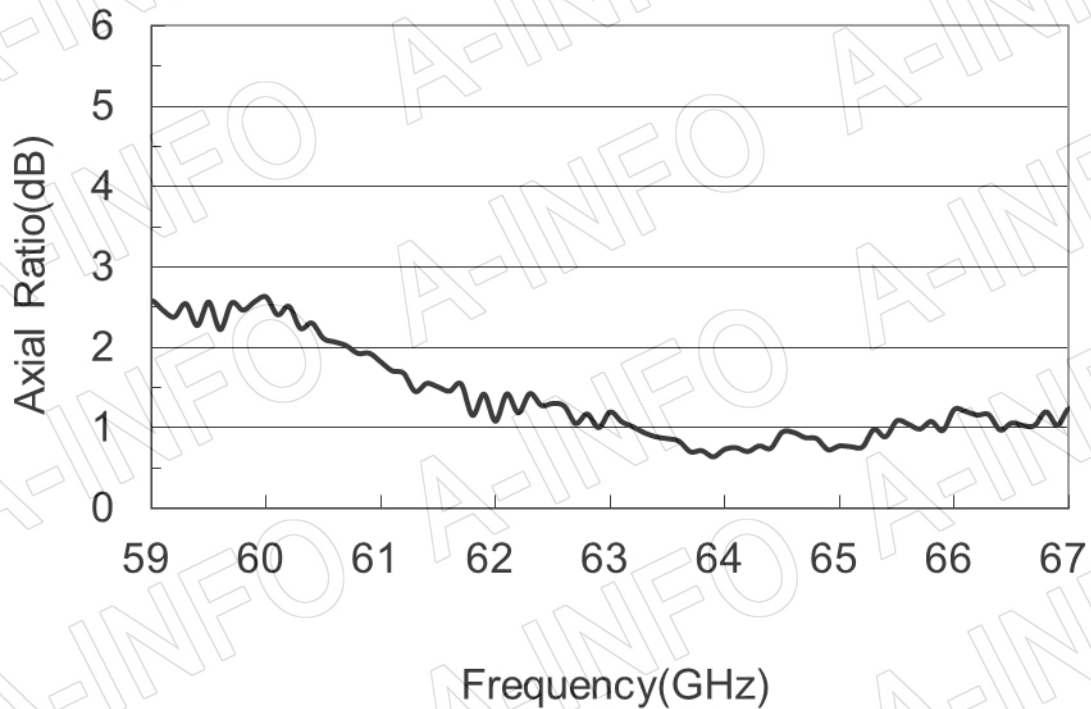
FUGP620
(equivalent to UG-385/U)

Test Results

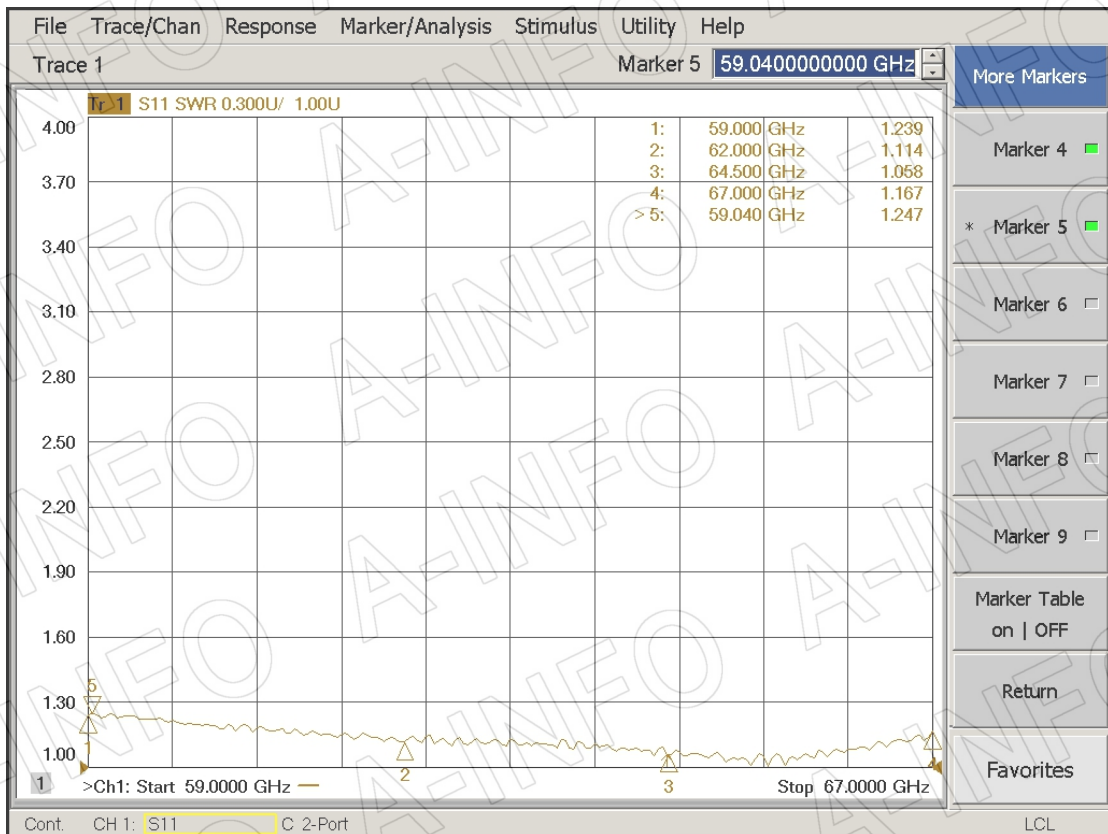
1. Gain



2. Axial Ratio



3. VSWR



4. Pattern

